

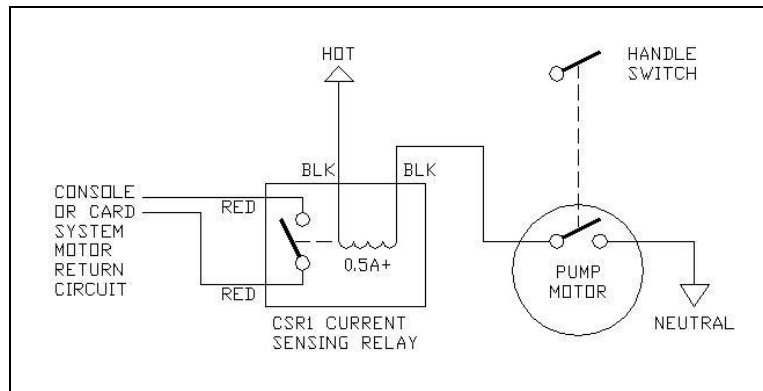
CSR1 Current Sensing Relay

- The CSR1 current sensing relay is designed to operate in fuel pumps with sealed switch motors, which do not contain an extra switch contact for use with a console or card system.



The CSR1 is designed to be wired in series with the pump motor. (black wires) When the pump motor activates and draws more than 0.5 amps, the CSR1 switches the red wires together, providing a motor return signal for a console or card system. The CSR1 can be located either in the pump, or in the console or card system cabinet.

Typical Wiring



SPECIFICATIONS

Input (Black Wires)		Output (Red Wires)	
Voltage:	110VAC or 220VAC	Switching Voltage:	5 to 350 Volts AC or DC
Minimum trigger current:	0.5A	Maximum Current	300mA
Maximum Current:	30A	ON Resistance	23-35 Ohms
Switching Time:	1mS		
Case Size:	3" x 1.5" x 1"		

MODEL NUMBERS

Model Number:	Description:
CSR1	CSR1 Current Sensing Relay

Integrated Control Systems Inc.

1425 American Way, Cedar Hill, TX. 75104

Voice: (972) 291-6064

Fax: (972) 291-5975

WWW.INTCONSYS.COM

For more information, please visit our website at:

WWW.INTCONSYS.COM